

METALLURGICAL MICROSCOPE Reflect/Transmit BF/DF

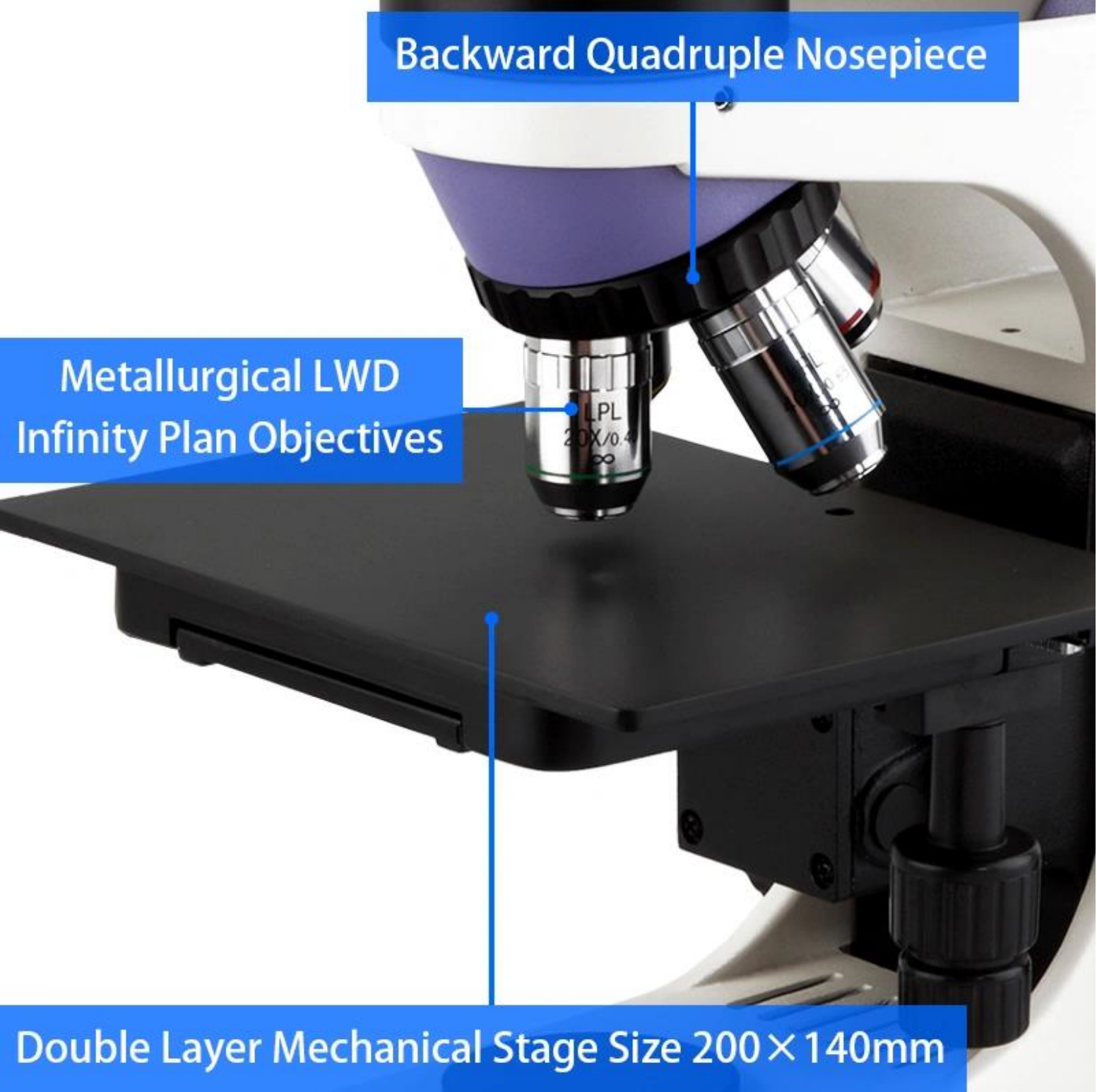




**Seidentopf Head Inclined 30°
Rotatable 360° , Interpupillary Distance 48-75mm**

Seidentopf Head

Inclined 30°, Rotatable 360°, Interpupillary Distance 48-75mm, High Eyepoint Eyepiece, Which Is Convenient For People With Different Sitting Height; The Integrated Design Of the Eyepiece Lens Barrel, Avoids The Loss And Contamination Of the Eyepiece And Enhances The Integrated Performance Of The Microscope



Nosepiece & Objective

High Precision Reserved Quadruple, Backward Nosepiece, Metallurgical LWD Infinity Plan Objectives: 5x, 10x, 50x; Optional 20x, 80x, 100x

Working Stage

Double Layer Mechanical Stage Size 200×140mm, Travel Range 76×52mm

Analyzer

30W Illuminator

Polarizer



Aperture Diaphragm

Five-hole Turret Filter Unit



Powered By Safety Low Voltage Charger, Input Wide Voltage 100V-240V, Output 5V1A, Support Power Bank Supply For Outdoor Use

Powered By Safety Low Voltage Charger

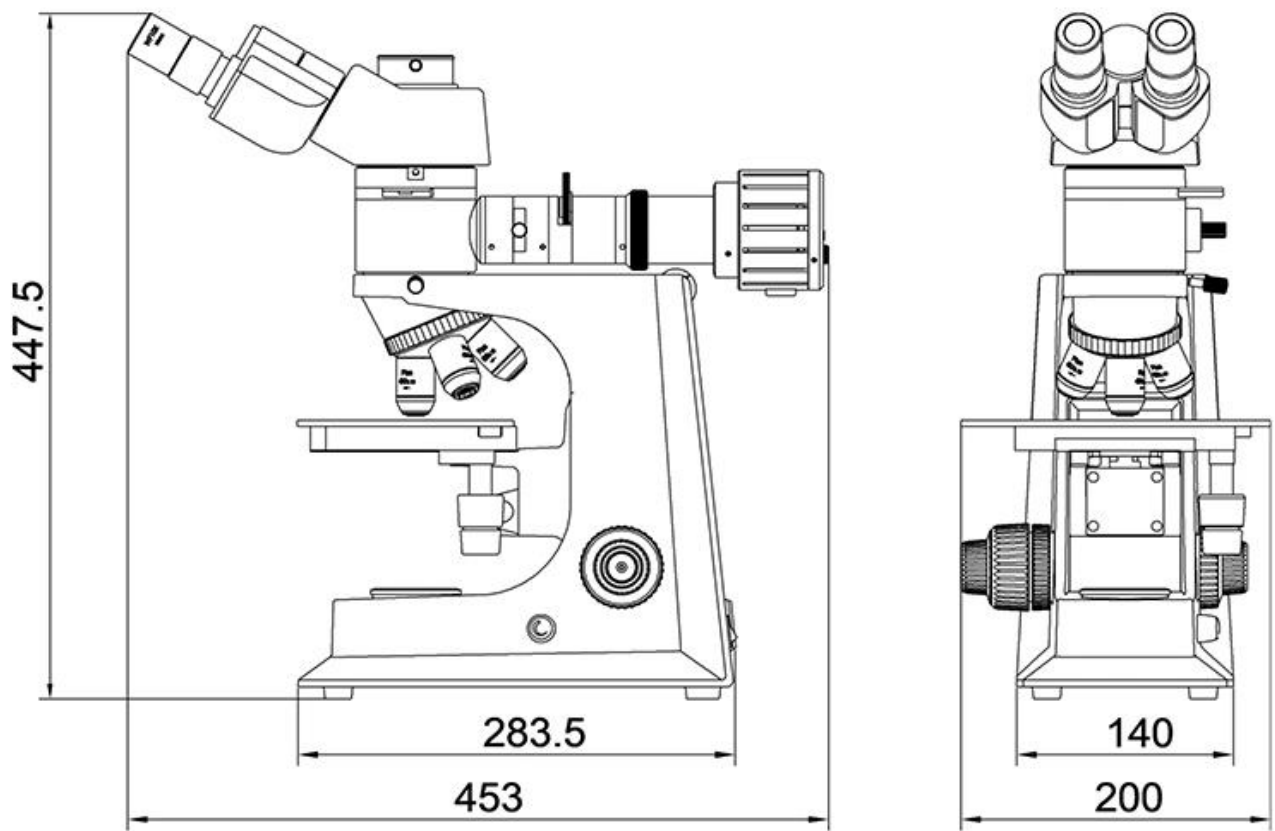
Input Wide Voltage 100V-240V, Output 5V1A, Support Power Bank Supply For Outdoor Use

Items	SLV-21M Metallurgical Microscope Specification	A	B
Head	Seidentopf Binocular Head Inclined 30°, Eyetube Rotatable 360°, Interpupillary Distance 48-75mm	•	
	Seidentopf Trinocular Head Inclined 30°, Eyetube Rotatable 360°, Interpupillary Distance 48-75mm, Light Split Fixed P20/E80		•
Eyepiece	WF10x/20mm, High Eyepoint,	•	•
	WF10x/20mm, With Micrometer X-0.1mm*180 Div / Y-Single Line, Diopter Adjustable	•	•
Nosepiece	Quadruple, Backward	••	••
Metallurgical LWD Infinity Plan Objectives	LPL 5x/0.13, W.D.=16.04mm	•	•
	LPL10x/0.25, W.D.=18.48mm	•	•

	LPL 20x/0.40, W.D.=8.35mm	○	○
	LPL 50x/0.70, W.D.=1.95mm	●	●
	LPL 80x/0.80, W.D.=0.85mm	○	○
	LPL 100x/0.90(Dry), W.D.=1.00mm	○	○
Working Stage	Double Layer Mechanical Stage Size 200×140mm, Travel Range 76×52mm	●	●
Focusing	Coaxial Coarse And Fine Focusing Knobs, Travel Range: 22mm, Scale: 2μm	●	●
Illumination	Reflect Light Source, 5WLED Warm Lamp, With Five Holes Filter Disc (Blue, Green, Amber, Grey, Empty) Powered By Safety Low Voltage Charger, Input Wide Voltage 100V-240V, Output 5V1A, Support Power Bank Supply For Outdoor Use	●	●
Polarizing	Analyzer + Polarizer	○	○
Adapter	C-Mount 0.5x, Focus Adjustable	○	○
	C-Mount 0.75x, Focus Adjustable	○	○
	C-Mount1.0x, Focus Adjustable	○	○
	Digital Eyepiece Camera Adapter, Dia. 23.2mm/25mm	○	○
Package	Carton Size 570*275*450mm, 1 Unit/Ctn		
Weight	Gross Weight 10.5kgs, Net Weigth 8.0kgs		

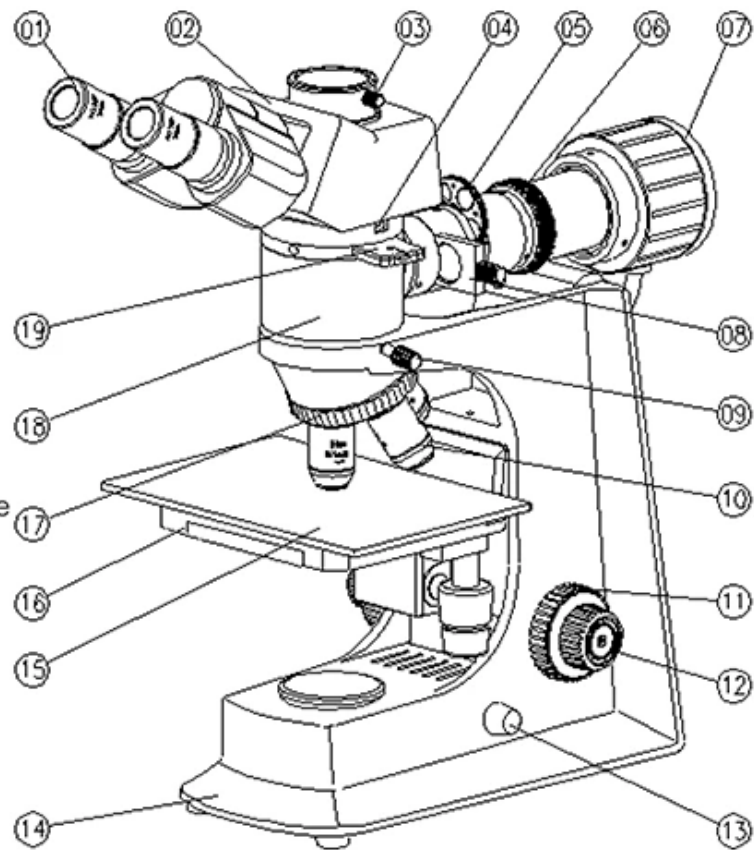
Note: "●" In Table Is Standard outfits, "○" Is Optional Accessories.





Product Conformation & Accessories

- 01-Eyepiece
- 02-Binocular (Trinocular) Observing Tube
- 03-Locking screw for Camera
- 04-Locking screw for Observing Tube
- 05-Filter turret
- 06-Aperture diaphragm adjusting ring
- 07-Light Box 08-Polarizer
- 09-Locking screw for main body
- 10-Objective
- 11-Right coarse focusing hand wheel
- 12-Right fine focusing hand wheel
- 13-Dimming potentiometer
- 14-Main body 15-Stage
- 16-Mechanical stage
- 17-Nosepiece 18-Epi illumination device
- 19-Analyzer



SLV-21M. Analyzer + Polarizer



**Digital Eyepiece
Camera Adapter**



**C-Mount 0.5x,
Focus Adjustable**



**C-Mount 0.75x,
Focus Adjustable**



**C-Mount 1.0x,
Focus Adjustable**



Metallurgical LWD Infinity Plan Objectives

